

bimetal stainless steel thermometer BiTh 80 E

Part no. 66235312AFG4D8

bimetal stainless steel thermometer BiTh E

benefits

- suitable for use in mechanical engineering, plant engineering, process engineering or food industry
- ideal for hygienic processes
- accuracy class 1 as per EN 13190
- for temperatures of the medium of up to 160 °C
- with adapter ring for thermowell Ø 18 mm

Application

For corrosive media. Suitable for a great range of industrial applications.

Technical Specifications

Type

D3

Nominal size

80

measuring element

Bimetal helix

accuracy class

1 (EN 13190)

ranges °C

0/60

Application area (EN 13190)

continuous load: Measuring range

short-term: Range

Operating pressure at thermowell

(not included in scope of delivery)

max. 25 bar

Degree of protection

IP 43 (EN 60529)

Connection

Stem: Stainless steel 316 L, Ø 8 mm

Stem: fixed male connection, fixed G $\frac{1}{2}$ B

mounting position

centre back

Dial

Aluminium, white

Scaling: black

Pointer

Aluminium, black

Housing

Stainless steel 304

push on bezel

Stainless steel 304

window

Instrument glass

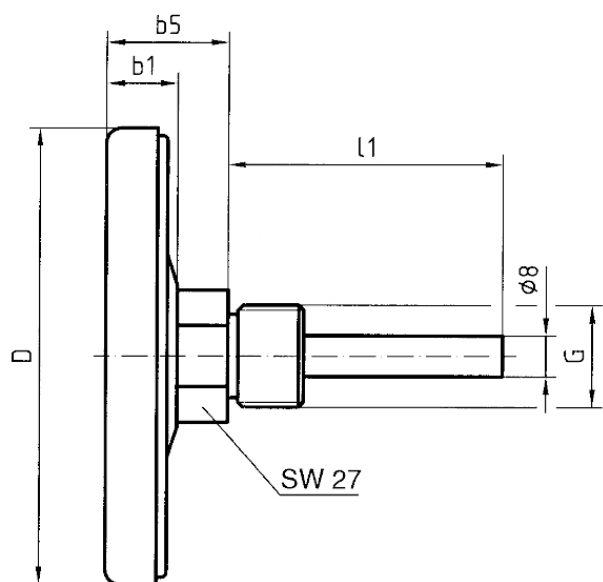
Options

- Thermowell G $\frac{1}{2}$ B, stainless steel 316 Ti/316 L
- other connection designs
- other ranges

- other stem lengths

Technical Drawings

centre back connection, fixed male connection



Dimensions (mm)

| NG | D | b1 | b5 | l1 | G |
|-----|-----|----|----|-----|-------------------|
| 63 | 63 | 15 | 27 | 63 | G $\frac{1}{2}$ B |
| 63 | 63 | 15 | 27 | 80 | G $\frac{1}{2}$ B |
| 63 | 63 | 15 | 27 | 100 | G $\frac{1}{2}$ B |
| 80 | 80 | 15 | 28 | 63 | G $\frac{1}{2}$ B |
| 80 | 80 | 15 | 28 | 80 | G $\frac{1}{2}$ B |
| 80 | 80 | 15 | 28 | 100 | G $\frac{1}{2}$ B |
| 100 | 100 | 17 | 29 | 63 | G $\frac{1}{2}$ B |
| 100 | 100 | 17 | 29 | 80 | G $\frac{1}{2}$ B |
| 100 | 100 | 17 | 29 | 100 | G $\frac{1}{2}$ B |

Versions

| Type | housing ø | moun- ting po- sition | Connec- tion | Range | For ther- mowell with length L1 | Stem length L1 | Type | Type | Part no. |
|--------------|--------------|-----------------------------|---|---------|---|----------------------|--------------|------|-----------------------|
| BiTh 80 E | 80 mm | centre back | fixed male connec- tion, fixed G½B | 0/60 °C | | 200 mm | BiTh 80 E | D312 | ● 66235312AF- G4D8 |

● in-stock items

● Non-stock items