

## Pressure transducers DMU 01 K Compact version

Part no. 31518

Pressure transducers



### benefits

- proven ceramic technology
- no mechanical ageing of the measuring cell
- no transmission liquid
- Versions for relative pressure and absolute pressure
- small temperature error

### Application

Electronic pressure measurement in industrial or HVAC applications such as hydraulic, pneumatic, automation, heating or air conditioning.

### Description

Pressure transducers convert physical pressure into an electrical signal proportional to the pressure. DMU 01K is equipped with a piezo-resistive thick-film ceramic measuring cell.

### Technical Specifications

#### Measuring range

0/40 bar

#### Process connection

G½B DIN 3852 type E

#### material

Housing: Stainless steel 304

pressure connection: Stainless steel 304

diaphragm: ceramic (Al<sub>2</sub>O<sub>3</sub> 96 %)

Seal: FKM (Viton)

#### Supply voltage

DC 8 – 32 V

#### Output signal

2-wire, 4–20 mA

#### Electrical connection

Connector and junction box as per ISO 4400 (DIN 43650-A)

#### Degree of protection

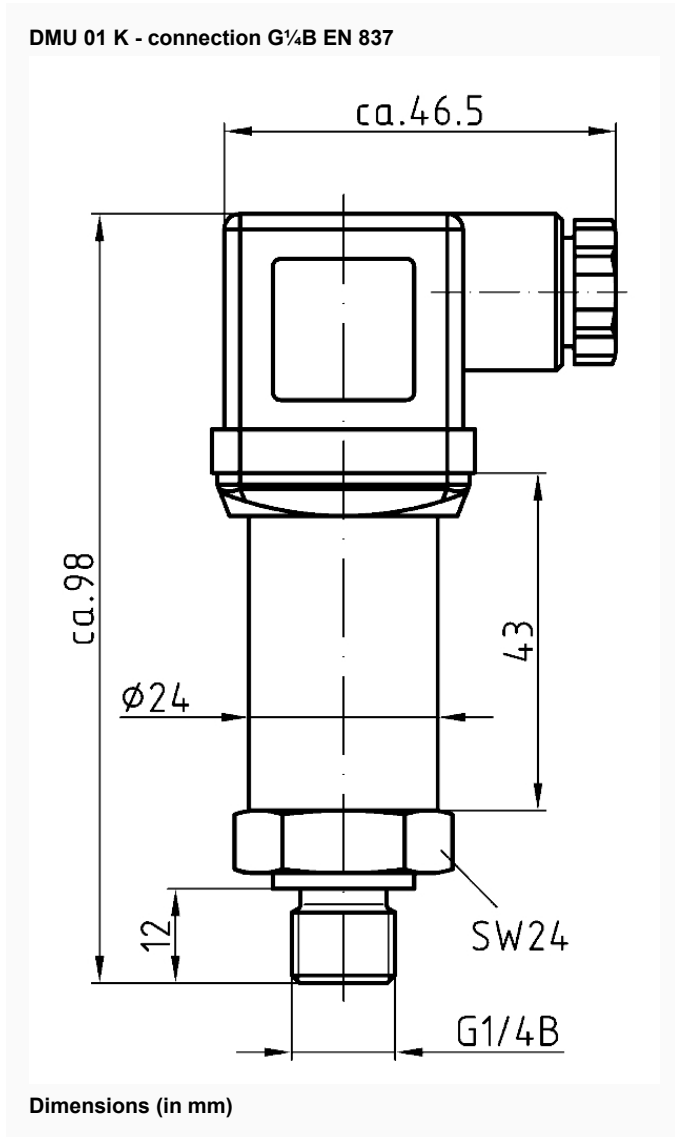
IP 65 (EN 60529)

### Options

- other connection threads
- fixed cable connection
- other connectors

- Output signal 0–10 V, 3-wire

**Technical Drawings**



**Versions**

Range	Measuring range	Type	Version	Part no.
	0/40 bar		Compact version	31518

- in-stock items
- Non-stock items