



Precision Bourdon tube pressure gauges RF160F

Part no. 85720431

Precision Bourdon tube pressure gauges

Application

For gaseous and liquid media which are not corrosive and not highly viscous and which do not crystallise. For high measuring accuracy.
! For measuring gas or vapour, observe the table "Selection Criteria as per EN 837-2" (see appendix)!

Technical Specifications

Type

D4

Nominal size

160

accuracy class (EN 837-1/6)

0.6

ranges

see ordering table

Calibration medium

> 40 bar

Water

application area

static load: Full scale value

dynamic load: 0.9 x full scale value

Operating temperature range

Medium: max. 60 °C

Ambient: -20/+60 °C

Temperature performance

Indication error when the temperature of the measuring system deviates from the normal temperature of 20 °C:

at rising temperature approx. $\pm 0.4 \%$ /10 K

falling temperature approx. $\pm 0.4 \%$ /10 K

of full scale value

Degree of protection

IP 54 (EN 60529)

Connection

Brass, bottom back

Measuring element

Bourdon tube

≤ 60 bar: "C" type tube, Copper alloy

> 60 bar: helical tube, stainless steel 316 Ti/316 L

movement

Brass/nickel silver, jewel bearing

Dial

Aluminium, white
Scaling: black
NG 160

Pointer

knife edge pointer
Aluminium, black

Housing

Stainless steel 304

bayonet bezel

Stainless steel 304

window

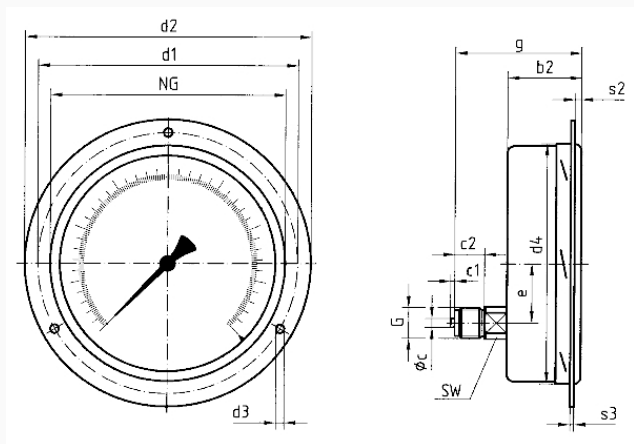
Plastic (PMMA)

Options

- factory test certificates
- Glycerine filling (type D 8)
- wetted parts stainless steel (type D 4x2)
- laminated safety glass window
- back flange
- 3-hole fixing, panel mounting bezel
- throttle screw
- special scales
- other process connections

Technical Drawings

NG 160 – bottom back connection, 3-hole fixing, panel mounting bezel



Dimensions (mm)

| NG | b2 | ∅c | c1 | c2 | d1* | d2 | d3* | d4 | e | G | g | s2 | s3 | SW |
|-----|----|----|----|----|-----|-----|-----|-----|------|-----|----|----|----|----|
| 160 | 50 | 6 | 3 | 20 | 178 | 196 | 5,8 | 164 | 44,5 | G½B | 82 | 4 | 2 | 22 |

* Dimensions as per DIN 16070

Versions

| Range | Mounting type | Type | | Part number |
|-----------|-------------------------------------|----------------|-----------------------|-------------|
| 0/100 bar | 3-hole fixing, panel mounting bezel | RF160F D431 | <input type="radio"/> | 85720431 |

in-stock items

Non-stock items