

Capsule pressure gauges for chemical applications KP100Ch

Part no. 35105452

Capsule pressure gauges for chemical applications Type D4

benefits

- with zero correction
- robust stainless steel housing (with bayonet bezel)
- wetted parts and movement made of stainless steel
- GOSSTANDART-certified
- Ex version (optional)

Application

For corrosive gaseous and dry media, also for use in corrosive environments.

Technical Specifications

Type

D4

Nominal size

100

accuracy class (EN 837-3/6)

1.6

ranges (EN 837-3/5)

see ordering table

application area

static load: Full scale value
dynamic load: 0.9 x full scale value
overload safety: 1.3 x full scale value

Operating temperature range

Medium: max. 100 °C
Ambient: -20/+60 °C

Temperature performance

Indication error when the temperature of the measuring system deviates from the normal temperature of 20 °C:
at rising temperature approx. ± 0.6 %/10 K
falling temperature approx. ± 0.6 %/10 K
of full scale value

Degree of protection

IP 32 (EN 60529)

Connection

stainless steel 316 Ti/316 L, centre back

Measuring element

Capsule element, stainless steel 316 Ti/316 L

movement

Stainless steel

Zero correction

from the front

Seal
FKM (Viton)

Dial
Aluminium, white
Scaling: black

Pointer
Aluminium, black

Housing
Stainless steel 304

bayonet bezel
Stainless steel 304

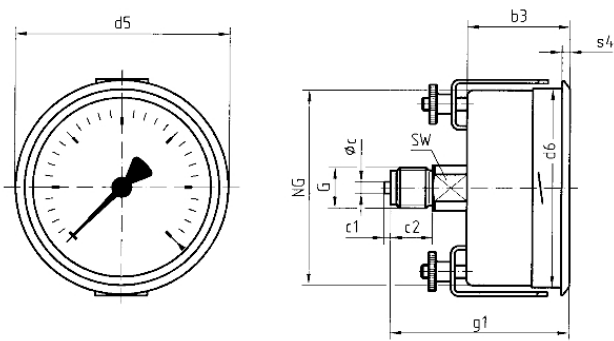
window
D452
Plastic (PMMA)

Options

- back flange
- Panel mounting bezel
- 3-hole fixing, panel mounting bezel
- Ex version
- throttle screw
- special scales
- other process connections

Technical Drawings

Centre back connection, panel mounting bezel with clamp fixing



Dimensions (mm)

| NG | b3 | ∅c | c1 | c2 | d5 | d6 | G | g1 | s4 | SW |
|-----|----|----|----|----|-----|-----|---------------------------------|----|-----|----|
| 63 | 37 | 5 | 2 | 13 | 68 | 64 | G ¹ / ₄ B | 60 | 3 | 14 |
| 100 | 49 | 6 | 3 | 20 | 107 | 101 | G ¹ / ₂ B | 81 | 4 | 22 |
| 160 | 52 | 6 | 3 | 20 | 167 | 161 | G ¹ / ₂ B | 84 | 4,5 | 22 |

Versions

| Range | Mounting type | Type | Part number |
|-------------|---------------|-----------------|-------------|
| -40/+0 mbar | clamp fixing | KP100Ch D452 | 35105452 |

- in-stock items
- Non-stock items