



## Capsule pressure gauges for chemical applications KP63Ch

Part no. 35016452

Capsule pressure gauges for chemical applications Type D4

### benefits

- with zero correction
- robust stainless steel housing (with bayonet bezel)
- wetted parts and movement made of stainless steel
- GOSSTANDART-certified
- Ex version (optional)

### Application

For corrosive gaseous and dry media, also for use in corrosive environments.

### Technical Specifications

**Type**

D4

**Nominal size**

63

**accuracy class (EN 837-3/6)**

1.6

**ranges (EN 837-3/5)**

see ordering table

**application area**

static load: Full scale value  
dynamic load: 0.9 x full scale value  
overload safety: 1.3 x full scale value

**Operating temperature range**

Medium: max. 100 °C  
Ambient: -20/+60 °C

**Temperature performance**

Indication error when the temperature of the measuring system deviates from the normal temperature of 20 °C:  
at rising temperature approx. ± 0.6 %/10 K  
falling temperature approx. ± 0.6 %/10 K  
of full scale value

**Degree of protection**

IP 32 (EN 60529)

**Connection**

stainless steel 316 Ti/316 L, centre back

**Measuring element**

Capsule element, stainless steel 316 Ti/316 L

**movement**

Stainless steel

**Zero correction**

from the front

**Seal**  
FKM (Viton)

**Dial**  
Aluminium, white  
Scaling: black

**Pointer**  
Aluminium, black

**Housing**  
Stainless steel 304

**bayonet bezel**  
Stainless steel 304

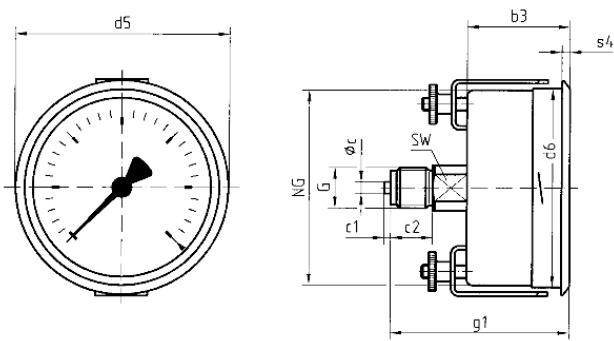
**window**  
D452  
Plastic (PMMA)

**Options**

- back flange
- Panel mounting bezel
- 3-hole fixing, panel mounting bezel
- Ex version
- throttle screw
- special scales
- other process connections

**Technical Drawings**

Centre back connection, panel mounting bezel with clamp fixing



Dimensions (mm)

NG	b3	∅c	c1	c2	d5	d6	G	g1	s4	SW
63	37	5	2	13	68	64	G <sup>1</sup> / <sub>4</sub> B	60	3	14
100	49	6	3	20	107	101	G <sup>1</sup> / <sub>2</sub> B	81	4	22
160	52	6	3	20	167	161	G <sup>1</sup> / <sub>2</sub> B	84	4,5	22

**Versions**

Range	Mounting type	Type	Part number
0/25 mbar	clamp fixing	KP63Ch D452	35016452

- in-stock items
- Non-stock items