

## Standard capsule pressure gauges KP160

Part no. 35171431

Standard capsule pressure gauges Type D4

### benefits

- with zero correction
- optional overpressure and/or underpressure safety 10 x FSD
- extremely low measuring ranges from 0/6 mbar
- GOSSTANDART-certified

### Application

For gaseous, dry media which do not attack copper alloys.

! For measuring gas or vapour, observe the table "Selection Criteria as per EN 837-2" (see appendix)!

### Technical Specifications

#### Type

D4

#### Nominal size

160

#### accuracy class (EN 837-3/6)

1.6

#### ranges (EN 837-3/5)

see ordering table

#### application area

static load: Full scale value  
dynamic load: 0.9 x full scale value  
overload safety: 1.3 x full scale value

#### Operating temperature range

Medium: max. 60 °C  
Ambient: -20/+60 °C

#### Temperature performance

Indication error when the temperature of the measuring system deviates from the normal temperature of 20 °C:  
at rising temperature approx.  $\pm 0.6 \%$ /10 K  
falling temperature approx.  $\pm 0.6 \%$ /10 K  
of full scale value

#### Degree of protection

NG 160  
IP 33 (EN 60529)

#### Connection

Brass, centre back

#### Measuring element

Capsule element, CuBe alloy

#### movement

Brass

#### Zero correction

from the front

**Seal**  
NBR (Perbunan)

**Dial**  
Aluminium, white  
Scaling: black

**Pointer**  
Aluminium, black

**Housing**  
Stainless steel 304

**bayonet bezel**  
Stainless steel 304

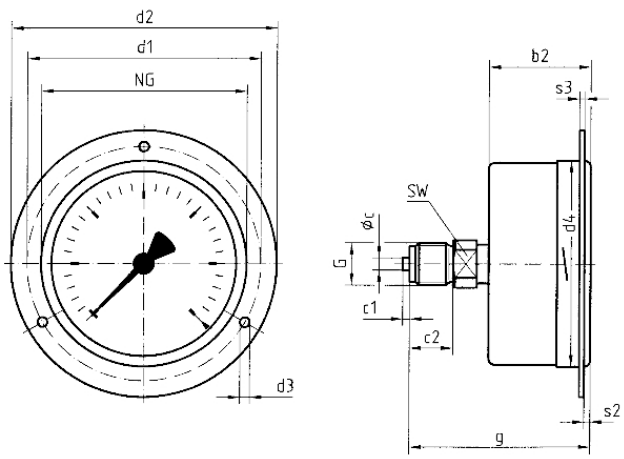
**window**  
D431  
Plastic (PMMA)

**Options**

- overpressure and underpressure safety 10 x FSD
- back flange
- Panel mounting bezel, with window, plastic
- 3-hole fixing, panel mounting bezel with window, plastic
- throttle screw
- Reference pointer
- special scales
- other process connections

**Technical Drawings**

**Centre back connection, 3-hole fixing, panel mounting bezel**



**Dimensions (mm)**

| NG  | b2 | ∅c | c1 | c2 | d1* | d2  | d3* | d4  | G     | g  | s2 | s3 | SW |
|-----|----|----|----|----|-----|-----|-----|-----|-------|----|----|----|----|
| 63  | 37 | 5  | 2  | 13 | 75  | 85  | 3,5 | 64  | G1/4B | 60 | 3  | 2  | 14 |
| 100 | 49 | 6  | 3  | 20 | 116 | 132 | 4,8 | 104 | G1/2B | 81 | 4  | 2  | 22 |
| 160 | 50 | 6  | 3  | 20 | 178 | 196 | 5,8 | 164 | G1/2B | 82 | 4  | 2  | 22 |

\* Dimensions for NG 100 according to DIN 16014

## Versions

| Range      | Mounting type                       | Type          |   | Part number |
|------------|-------------------------------------|---------------|---|-------------|
| 0/250 mbar | 3-hole fixing, panel mounting bezel | KP160<br>D431 | ● | 35171431    |

- in-stock items
- Non-stock items