



## Standard capsule pressure gauges KP160

Part no. 35165411

Standard capsule pressure gauges Type D4

### benefits

- with zero correction
- optional overpressure and/or underpressure safety 10 x FSD
- extremely low measuring ranges from 0/6 mbar
- GOSSTANDART-certified

### Application

For gaseous, dry media which do not attack copper alloys.

! For measuring gas or vapour, observe the table "Selection Criteria as per EN 837-2" (see appendix)!

### Technical Specifications

**Type**  
D4

**Nominal size**  
160

**accuracy class (EN 837-3/6)**  
4.0

**ranges (EN 837-3/5)**  
see ordering table

**application area**  
static load: Full scale value  
dynamic load: 0.9 x full scale value  
overload safety: 1.3 x full scale value

**Operating temperature range**  
Medium: max. 60 °C  
Ambient: -20/+60 °C

### Temperature performance

Indication error when the temperature of the measuring system deviates from the normal temperature of 20 °C:  
at rising temperature approx.  $\pm 0.6 \%/10 \text{ K}$   
falling temperature approx.  $\pm 0.6 \%/10 \text{ K}$   
of full scale value

**Degree of protection**  
NG 160  
IP 33 (EN 60529)

**Connection**  
Brass, centre back

**Measuring element**  
Capsule element, CuBe alloy

**movement**  
Brass

**Zero correction**  
from the front

**Seal**  
NBR (Perbunan)

**Dial**  
Aluminium, white  
Scaling: black

**Pointer**  
Aluminium, black

**Housing**  
Stainless steel 304

**bayonet bezel**  
Stainless steel 304

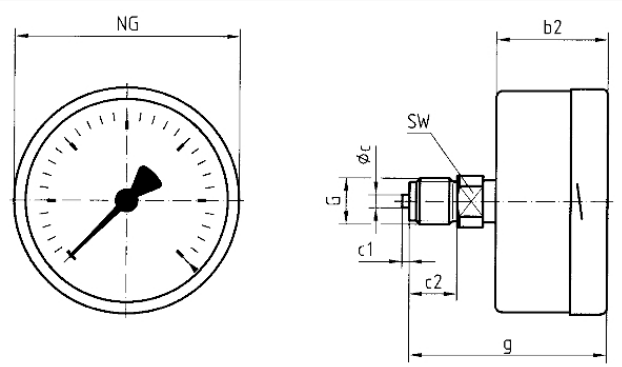
**window**  
D411  
Instrument glass

**Options**

- overpressure and underpressure safety 10 x FSD
- back flange
- Panel mounting bezel, with window, plastic
- 3-hole fixing, panel mounting bezel with window, plastic
- throttle screw
- Reference pointer
- special scales
- other process connections

**Technical Drawings**

**Centre back connection**



**Dimensions (mm)**

NG	b2	∅c	c1	c2	G	g	SW
63	37	5	2	13	G <sup>1</sup> / <sub>4</sub> B	60	14
100	49	6	3	20	G <sup>1</sup> / <sub>2</sub> B	81	22
160	50	6	3	20	G <sup>1</sup> / <sub>2</sub> B	82	22

## Versions

Range	Mounting type	Type		Part number
0/16 mbar	direct	KP160 D411	<input type="radio"/>	35165411

- in-stock items
- Non-stock items