



Standard capsule pressure gauges KP63

Part no. 35023211

Standard capsule pressure gauges Type D2

benefits

- with zero correction
- ideal for low pressure ranges
- GOSSTANDART-certified

Application

For gaseous, dry media which do not attack copper alloys.

! For measuring gas or vapour, observe the table "Selection Criteria as per EN 837-2" (see appendix)!

Technical Specifications

Type

D2

Nominal size

63

accuracy class (EN 837-3/6)

1.6

ranges (EN 837-3/5)

see ordering table

application area

static load: Full scale value

dynamic load: 0.9 x full scale value

overload safety: 1.3 x full scale value

Operating temperature range

Medium: max. 60 °C

Ambient: -20/+60 °C

Temperature performance

Indication error when the temperature of the measuring system deviates from the normal temperature of 20 °C:

at rising temperature approx. $\pm 0.6 \%$ /10 K

falling temperature approx. $\pm 0.6 \%$ /10 K

of full scale value

Degree of protection

NG 63

IP 33 (EN 60529)

Connection

Brass, centre back

Measuring element

Capsule element, CuBe alloy

movement

Brass

Zero correction

from the front

Seal

NBR (Perbunan)

Dial
Aluminium, white
Scaling: black

Pointer
Aluminium, black

Housing
Sheet steel, black

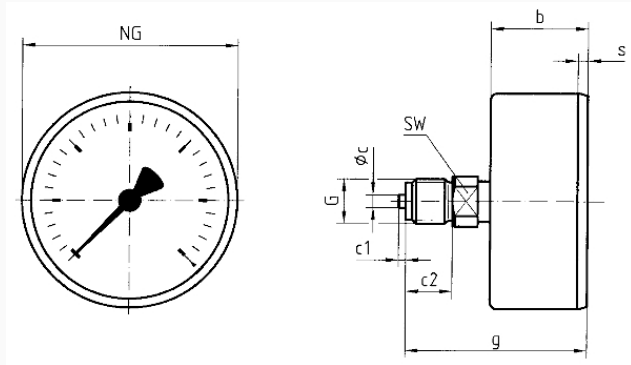
window
Plastic, clipped in

Options

- back flange
- 3-hole fixing, panel mounting bezel
- Measuring system stainless steel (NG 100)
- throttle screw
- Reference pointer
- special scales
- other process connections

Technical Drawings

Centre back connection



Dimensions (mm)

NG	b	∅c	c1	c2	G	g	s	SW
63	33,7	5	2	13	G ¹ / ₄ B	56,7	3,7	14
80	43,3	6	3	20	G ¹ / ₂ B	75,3	3,8	22
100	44	6	3	20	G ¹ / ₂ B	76	3,5	22

Versions

Range	Mounting type	Type	Part number
0/600 mbar	direct	KP63 D211	35023211

- in-stock items
- Non-stock items