

Standard capsule pressure gauges KP80

Part no. 35071201

Standard capsule pressure gauges Type D2

benefits

- with zero correction
- ideal for low pressure ranges
- GOSSTANDART-certified

Application

For gaseous, dry media which do not attack copper alloys.

! For measuring gas or vapour, observe the table "Selection Criteria as per EN 837-2" (see appendix)!

Technical Specifications

Type

D2

Nominal size

80

accuracy class (EN 837-3/6)

1.6

ranges (EN 837-3/5)

see ordering table

application area

static load: Full scale value
dynamic load: 0.9 x full scale value
overload safety: 1.3 x full scale value

Operating temperature range

Medium: max. 60 °C
Ambient: -20/+60 °C

Temperature performance

Indication error when the temperature of the measuring system deviates from the normal temperature of 20 °C:
at rising temperature approx. $\pm 0.6 \%$ /10 K
falling temperature approx. $\pm 0.6 \%$ /10 K
of full scale value

Degree of protection

NG 80
IP 33 (EN 60529)

Connection

Brass, bottom

Measuring element

Capsule element, CuBe alloy

movement

Brass

Zero correction

from the front

Seal
NBR (Perbunan)

Dial
Aluminium, white
Scaling: black

Pointer
Aluminium, black

Options

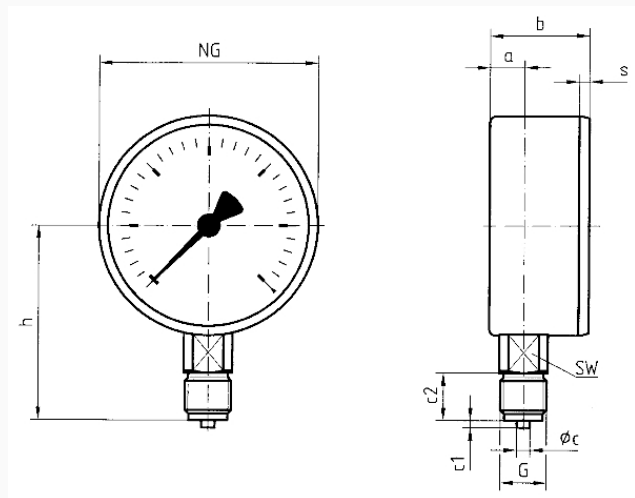
- back flange
- 3-hole fixing, panel mounting bezel
- Measuring system stainless steel (NG 100)
- throttle screw
- Reference pointer
- special scales
- other process connections

Housing
Sheet steel, black

window
Plastic, clipped in

Technical Drawings

Bottom connection



Dimensions (mm)

| NG | a | b | Øc | c1 | c2 | G | h | s | SW |
|-----|------|------|----|----|----|-----|------|-----|----|
| 63 | 9,5 | 33,7 | 5 | 2 | 13 | G¼B | 52,7 | 3,7 | 14 |
| 80 | 14,8 | 43,3 | 6 | 3 | 20 | G½B | 69 | 3,8 | 22 |
| 100 | 15,6 | 44 | 6 | 3 | 20 | G½B | 87 | 3,5 | 22 |

Versions

| Range | Mounting type | Type | | Part number |
|------------|---------------|--------------|----------------------------------|-------------|
| 0/250 mbar | direct | KP80 D201 | <input checked="" type="radio"/> | 35071201 |

- in-stock items
- Non-stock items