



## Gas filled thermometers FTh 160 Ch

Part no. 64403472

gas filled thermometer for chemical applications

### benefits

- for chemical, process engineering and food industry applications
- high measuring accuracy
- fast response

### Application

For corrosive media. Meets the most exacting measuring demands, e.g. in process engineering as well as chemical and food industry applications.

### Technical Specifications

**Type**

D4

**Nominal size**

160

**Measuring principle**

Pressurised gas filling

**accuracy class**

1 (EN 13190)

**ranges °C**

0/500

**Application area (EN 13190)**

continuous load: Full scale value

short-term: 1.1 x full scale value

**Operating pressure at thermowell**

max. 10 bar (Up to 300 °C)

**Degree of protection**

IP 65 (EN 60529)

**Connection**

Stem: Stainless steel 321, Ø 10 mm, plain

**mounting position**

bottom

**Dial**

Aluminium, white

Scaling: black

**Pointer**

Aluminium, black

**Zero correction**

at the side

**movement**  
Brass

**bayonet bezel**  
Stainless steel 304

**Housing**  
Stainless steel 304

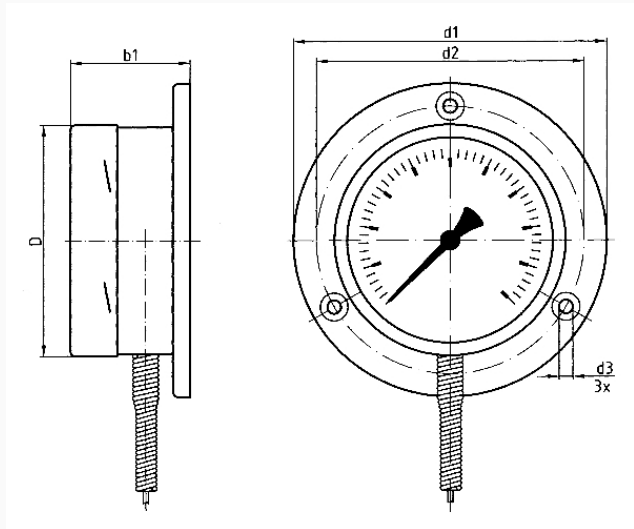
**window**  
Instrument glass

**Options**

- Every angle version
- Grooved nut connection as per DIN 11851
- other connection designs
- other nominal sizes
- other ranges
- special scales
- Glycerine filling (type D8)
- back flange
- 3-hole fixing, panel mounting bezel
- Capillary (stainless steel 321)
- special materials
- Electrical contacts

**Technical Drawings**

Version with capillary and back flange



Dimensions (mm)

NG	b1	D	d1	d2	d3
100	51	101	132	116	5,5
160	51	161	196	178	6

## Versions

Type	housing $\varnothing$	Range	Type	Type	Part no.
FTh 160 Ch	160 mm	0/500 °C	FTh 160 Ch	D472	64403472

- in-stock items
- Non-stock items