



bimetal stainless steel thermometer BiTh 100 E

Part no. 66349312

bimetal stainless steel thermometer BiTh E

benefits

- suitable for use in mechanical engineering, plant engineering, process engineering or food industry
- ideal for hygienic processes
- accuracy class 1 as per EN 13190
- for temperatures of the medium of up to 160 °C
- with adapter ring for thermowell Ø 18 mm

Application

For corrosive media. Suitable for a great range of industrial applications.

Technical Specifications

Type

D3

Nominal size

100

measuring element

Bimetal helix

accuracy class

1 (EN 13190)

ranges °C

0/120

Application area (EN 13190)

continuous load: Measuring range

short-term: Range

Operating pressure at thermowell

(not included in scope of delivery)

max. 25 bar

Degree of protection

IP 43 (EN 60529)

Connection

Stem: Stainless steel 316 L, Ø 8 mm

Stem: plain

mounting position

centre back

Dial

Aluminium, white

Scaling: black

Pointer

Aluminium, black

Housing

Stainless steel 304

push on bezel

Stainless steel 304

window

Instrument glass

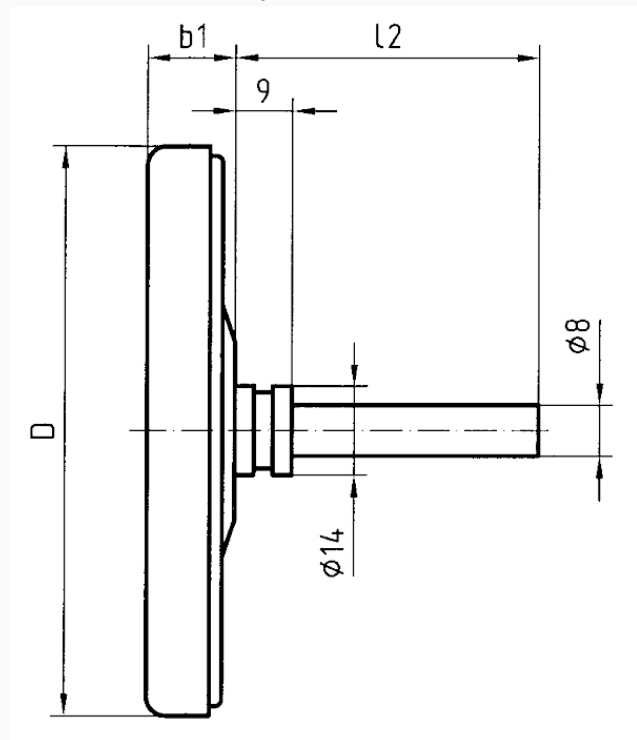
Options

- Thermowell G $\frac{1}{2}$ B, stainless steel 316 Ti/316 L

- other connection designs
- other ranges
- other stem lengths

Technical Drawings

centre back connection, plain



Dimensions (mm)

NG	b1	D	l2
63	15	63	67
63	15	63	104
63	15	63	154
63	15	63	204
80	15	80	67
80	15	80	104
80	15	80	154
80	15	80	204
100	17	100	67
100	17	100	104
100	17	100	154
100	17	100	204

Versions

Type	housing ø	moun- ting po- sition	Connec- tion	Range	For ther- mowell with length L1	Stem length L1	Type	Type	Part no.
BiTh 100 E	100 mm	centre back	plain	0/120 °C	150 mm		BiTh 100 E	D312	● 66349312

- in-stock items
- Non-stock items